

HWR40/68A

WORKTOP REFRIGERATORS

TEMPGUARD® Self-Contained Worktop Refrigerators with EverCheck® Controls

Item # _____

Project: _____

Qty: _____

*AutoCad available on KCL

HWR40/68A

6/05

Item # 13168

HWR40A DIMENSIONS

W x D x H

40.25 x 32.3 x 35.9*

*with 6" casters

HWR68A DIMENSIONS

W x D x H

68 x 32.3 x 35.9*

*with 6" casters

HWR40A



HWR68A



- Stainless steel interior and exterior top, front, sides and bottom with galvanized steel back for long life, durability and easy maintenance. The stainless steel top includes a 4" backsplash
- (2) heavy duty epoxy shelves per section are standard, mounted on stainless steel pilasters, shelves are adjustable in 1" increments
- Cabinet door perimeter heater provides condensation control in high humidity environments and is equipped with a back-up heater should the primary heater fail
- Cabinet and doors are insulated with 2 1/4" CFC free, foamed-in-place polyurethane
- 6" heavy duty casters (2 with brakes) are standard
- Doors are constructed of high-grade 300 series stainless steel inside and out
- Doors are self-closing with a stay open feature at 105°
- Stepped door design protects door gasket when product is removed from the cabinet; Snap in magnetic door gaskets are durable and easily removed
- Door hinging is reversible at the factory
- High-efficiency refrigeration system is designed with a large capacity condenser and evaporator resulting in lower overall power consumption; Evaporator coil is coated for extended life
- TempGuard's Evercheck® controls monitor high and low temperatures, high pressure, clean filter and cabinet temperature functions and provide visual alarms to alert operator to possible problems
- Cartridge-style refrigeration system is easily removable from the main unit for ease of service
- Refrigeration system is equipped with solid state digital controls (Fahrenheit or Celsius display)
- Refrigeration system is designed to maintain proper temperatures with "zero" clearance on ends and at rear
- Defrost cycles are time initiated - temperature terminated
- Removable, cleanable air filter protects condenser and reduces cleaning requirements
- Hot gas condensate evaporator is standard
- Units equipped with 8' - 6" cord and plug
- Refrigerant: R-134a with capillary tube controls



Warranty

Valid in United States, Canada, Puerto Rico, & U.S. Territories. Contact factory for warranty in other countries.

Two Year - Parts & Labor on entire machine

Five Year - Parts on: Compressor



Hoshizaki

HWR40/68A WORKTOP REFRIGERATORS

DIMENSIONS
W x D x H
HWR40A
40.25 x 32.3 x 35.9
HWR68A
68 x 32.3 x 35.9

WORKTOP REFRIGERATORS

- 1 section worktop refrigerator
- 2 section worktop refrigerator

DIMENSIONS/CAPACITY

Model #	HWR40A	HWR68A
Interior Storage Capacity (CF)	8.5 ft ³	18.8 ft ³
Overall Width	40.25"	68"
Overall Depth	32.3"	32.3"
Height (including 6" casters)	35.9"	35.9"
Depth with Door open at 90°	56.8"	56.8"
Door Opening Width	22.5"	22.5"
Door Opening Height	24.3"	24.3"
Adjustable Shelves	2	4
Shelf Dimensions (W x D)	22.4" x 24.6"	25" x 24.6"
Crated Shipping Weight	317 lb	443 lb
Crated Height	40.5"	40.5"
Crated Width	44.25"	72"
Crated Depth	35.5"	35.5"

ELECTRICAL & REFRIGERATION DATA

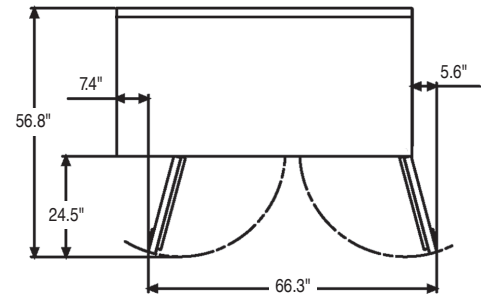
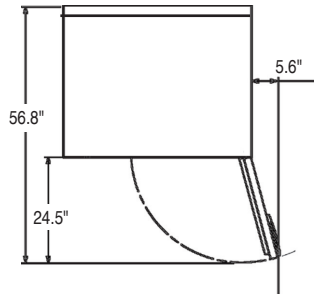
Model #	HWR40A	HWR68A
Voltage	115/60/1	115/60/1
Amperage	3.9	4.8
HACR Breaker	15.0	15.0
Electrical Connection(NEMA)	5 - 15P	5 - 15P
*Energy Consumption(kwh/day)	4.3	4.5
* Heat Rejection(BTU/Hr.)	614	638
Approximate Nominal Compressor BTU/Hr.(HP)	729 (1/8HP)	1442 (1/5HP)
Voltage Range	104 - 126	104 - 126
Ambient Temp. Range	45° - 100°F	45° - 100°F
Control Setpoint Range	21° to 53°F	21° to 53°F
*Refrigerant	R-134a	R-134a

* Based on 100°F ambient cycling at setpoint

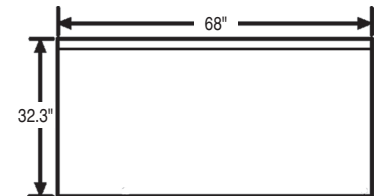
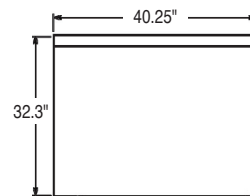
OPTIONS

- 6" Legs
- Bull nose top (front & rear)
- Additional epoxy shelves
- Tray pan rack slides (accommodates 18" x 26" pans)
- Drawers (two high, two 6" deep 12" x 20" pans/drawer)
- Reversible hinging (factory modification)
- Stainless steel back
- Foot pedal

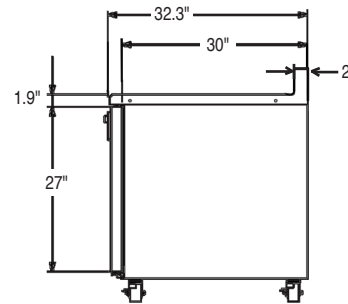
© HOSHIZAKI AMERICA, INC.



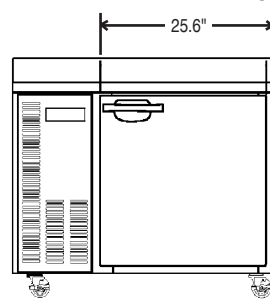
DOOR SWING



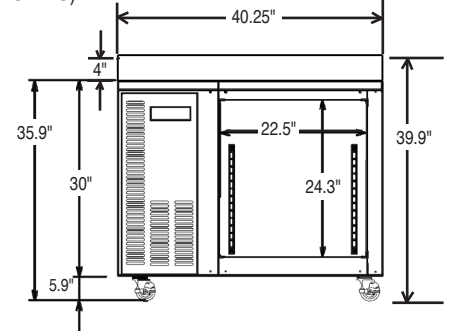
PLAN VIEW



SIDE VIEW (BOTH UNITS)



HWR40A



HWR68A

